



## Stainless Steel Hinges (SSH):

## General Information:

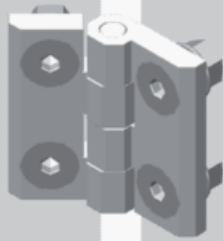
**Function:** Heavy duty hinge used to connect panels or aluminium profiles.

**Features:**

1. The 'DSSH 50 x 50' Hinge is detachable.

**Note:**

1. Require countersunk screws for fastening.



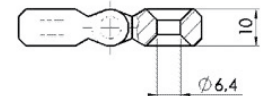
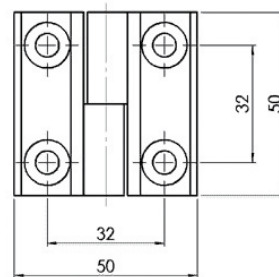
## Item Description:

SSH 50 x 50

## Item Number:

C09575050ELR

8

M6x16  
S3.60M6  
S3.61

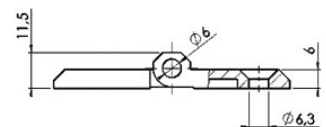
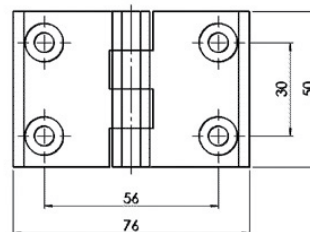
## Item Description:

SSH 60 x 60

## Item Number:

C09576060E

8

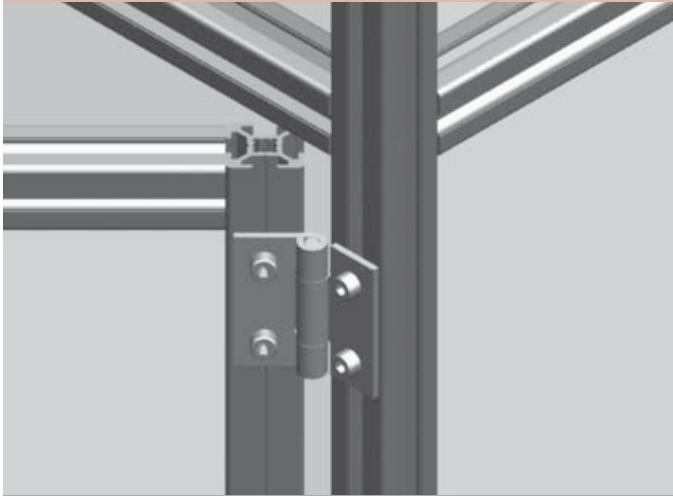
M6x12  
S3.60M6  
S3.61

## Technical Information:

Item Description	Max Load (Nm)	Locating Pins	Weight (g)	Colour	Finish	Material
DSSH 50 x 50	-	Without	156.0	Silver	Plain	Stainless steel SS316
SSH 60 x 60			222.0			



**Stainless Steel Hinges (SSH):**

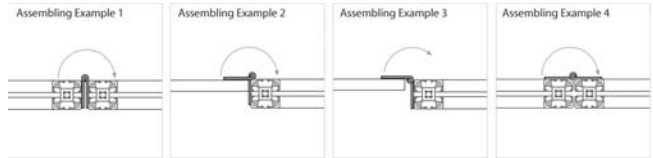


**General Information:**

**Function:** To connect panels or aluminium profiles.

**Note:**

1. Requires M4 socket-head caps screws for fastening.



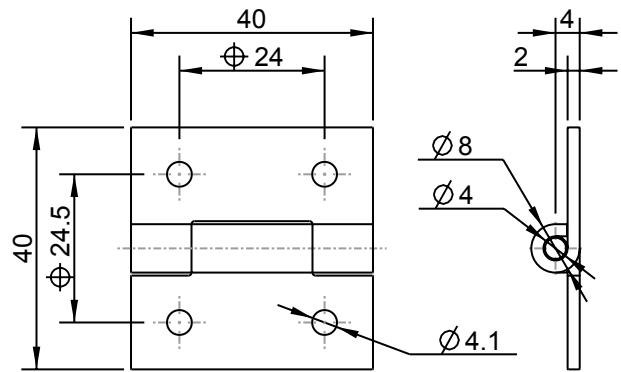
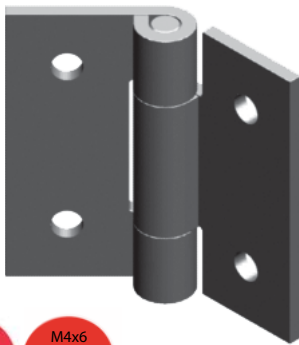
**Item Description:**

SSH 20 x 20

**Item Number:**

3.842.535.684

P20x20



**Technical Information:**

Item Description	Max Force (N)	Locating Pins	Weight (g)	Colour	Finish	Material
SSH 20 x 20	300.0	Without	-	Silver	Plain	Stainless steel



## Bridge Handles (HDL) &amp; Ergo Handles (HDL-E)

## General Information:



**Function:** To mount to doors, flaps and profiles.

## Item Description:

## Item Number:

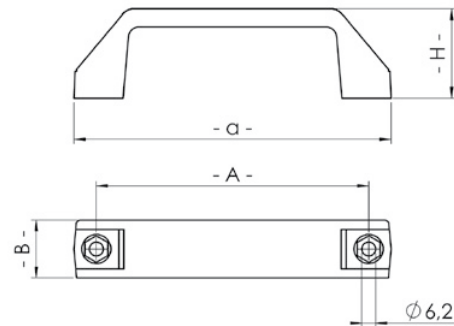
HDL 122

1.25.0020.0



HDL 152

C092002



## Item Description:

## Item Number:

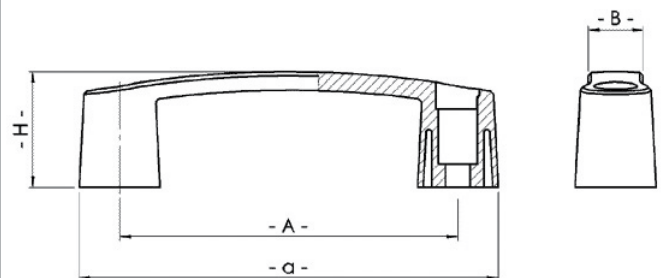
HDL - E 94

1.25.0021.0



HDL - E 117

C12117B85



## Technical Information:

Item Description	For Screw	Dim -a- (mm)	Dim -A- (mm)	Dim -B- (mm)	Dim -H- (mm)	Weight (g)	Colour	Material
HDL 122	M6	142.0	122.0	26.0	40.0	41.0	Black	Fibreglass reinforced nylon
HDL 152	M6	170.0	152.0	28.0	52.0	70.0		
HDL - E 94	M6	120.0	94.0	17.0	35.0	32.0		
HDL - E 117	M8	145.0	117.0	19.0	40.0	48.0		

**Variable Handle (HDL - V):**



**General Information:**

**Function:** To mount to doors, flaps and profiles.

**Features:**

1. Variable handle length.
2. Support pieces are available to provide extra strength.

**Note:**

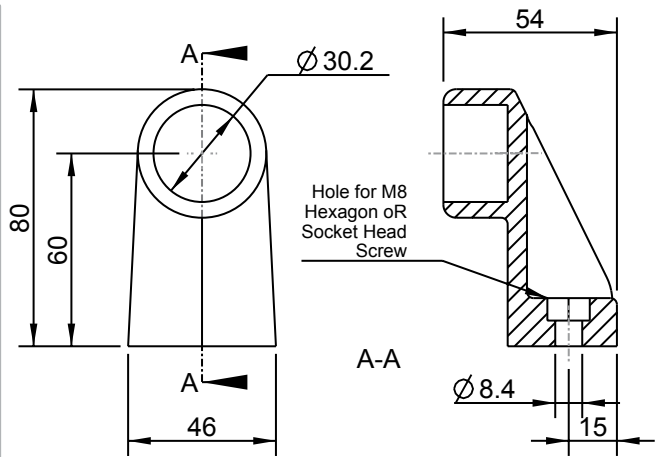
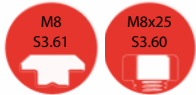
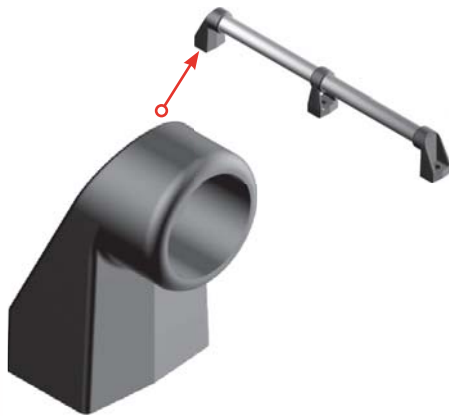
1. 'HDL - V Supports' should be used when the tube length is greater than 1000mm.
2. Requires M8 x 20 socket-head cap screws for fastening.

**Item Description:**

HDL - V End Piece

**Item Number:**

1.25.0022.0

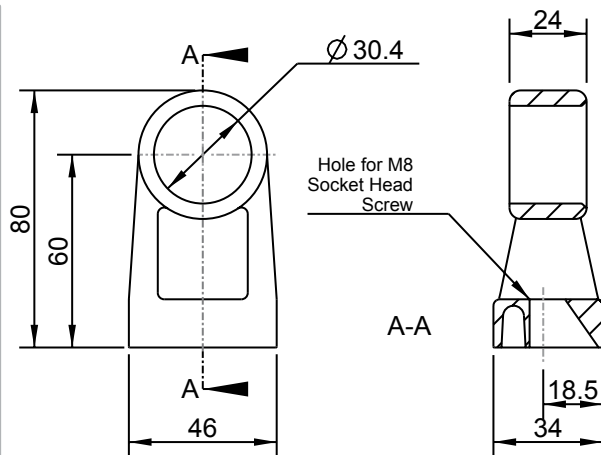
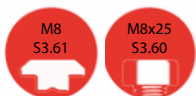


**Item Description:**

HDL - V Support

**Item Number:**

1.07.0023.0

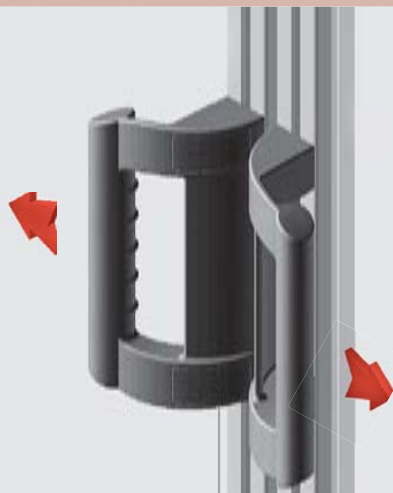


**Technical Information:**

Item Description	Max Load (Nm)	Locating Pins	Weight (g)	Colour	Finish	Material
HDL - V End Piece	-	Without	-	Black	Plain	Polyamide
HDL - V Support			-			



## Machine Handle (HDL - M):

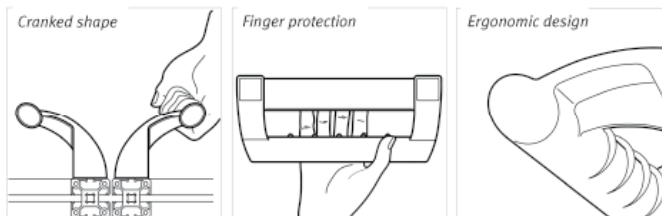


## General Information:

**Function:** To mount to doors, flaps and profiles.

**Features:**

1. Ergonomic design.
2. Finger protection.
3. Cover caps to seal and protect fasteners.

**Note:**

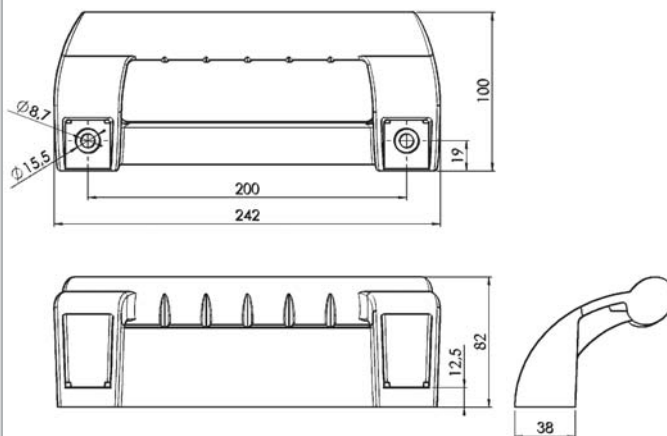
1. Requires M8 socket-head caps screws for front fastening or M8 hexagon nuts and screws rear fastening.

## Item Description:

HDL - M 240

## Item Number:

C092008

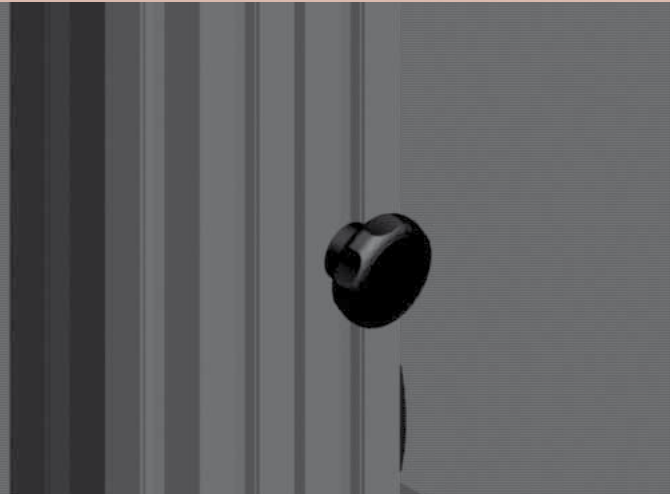
8  10 

## Technical Information:

Item Description	Locating Pins	Weight (g)	Colour	Finish	Material
HDL - M 240	Without	356.0	Black	Plain	Fibreglass reinforced nylon



Hand Wheel (HW):



General Information:

**Function:** To mount to doors, flaps and profiles.

**Features:**

- 1. Designed for M6 or M8 hexagonal bolts of any length.

**Note:**

- 1. Use the 'Insert' for M6 bolts.

Item Description:

HW 40

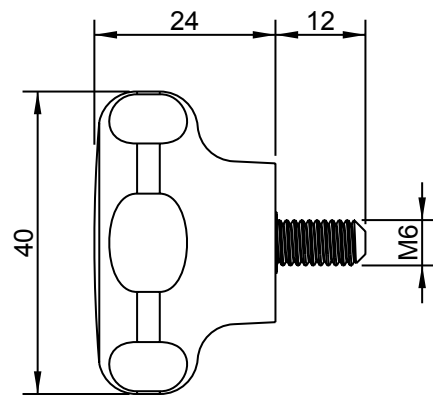
Item Number:

1.25.0024.0



**Set Includes:**

- 1 - Cover cap x 1
- 2 - Hex bolt (Not included)
- 3 - Insert for M6 hex bolts or nuts x 1
- 4 - Hand wheel x 1

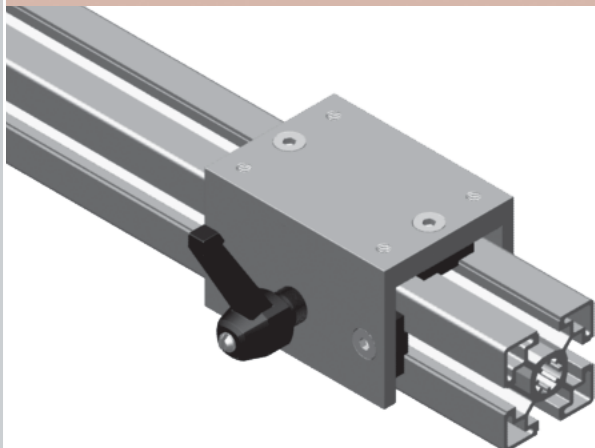


Technical Information:

Item Description	Bore	Weight (g)	Colour	Finish	Material
HW 40	M6 or M8	-	Black	Plain	1,2,4 - Reinforced polyamide



## Ratchet Handles (HDL - R):



## General Information:

**Function:** To mount to doors, flaps and profiles.

**Features:**

1. The ratchet handles encompasses a spring loaded locking mechanism which allows the handle, once rotated to be relocated to its original position without rotating the connecting elements.

**Note:**

1. Other sizes are available upon request.

Item	-A-	-B-	-C-	-D-	-E-	-F-	-G-
1	40	40	7	20	29	11	16
2	55	51	9	25	36	14	20

## Item Description:

(1) HDL - R M6 x 20

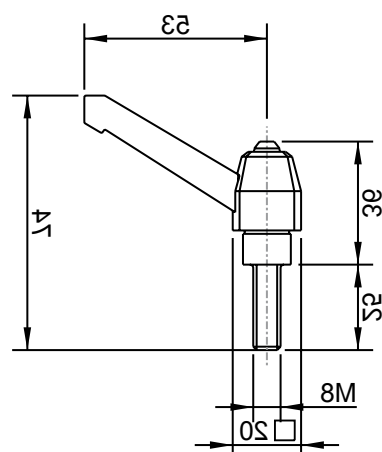
(2) HDL - R M8 x 25

## Item Number:

1.25.0140.0



1.25.0141.0

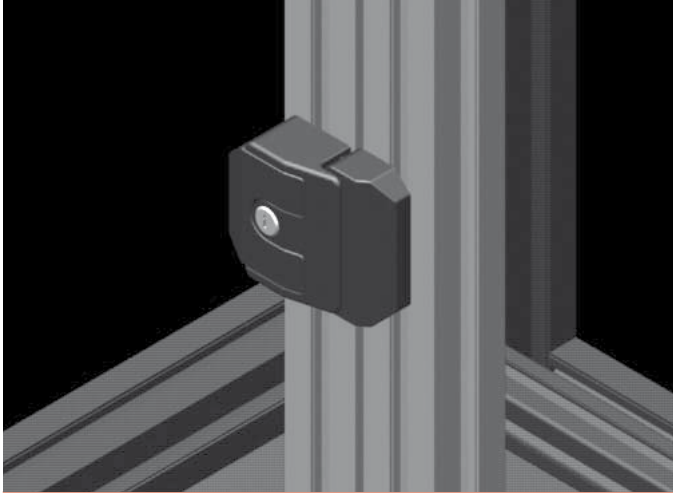


## Technical Information:

Item Description	Weight (g)	Colour	Finish	Material: Handle	Material: Threaded Spindle
(1) HDL - R M6 x 20	-	Black	Plain	Reinforced nylon	Stainless Steel ASI 303
(2) HDL - R M8 x 25	-				



Slam Latch (SL):



General Information:

**Function:** To securely close doors and flaps.

**Features:**

1. SL - Universal: one key fits all slam latches.
2. SL - Unique: each slam latch has a different key.

**Note:**

1. Requires M6 screws for fastening from behind.

Item Description:

SL - Universal

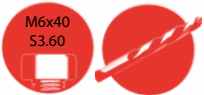
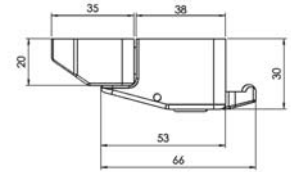
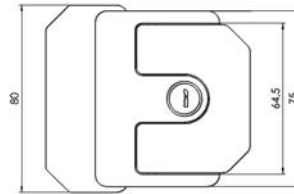
Item Number:

C957101



SL - Unique

C957201



Technical Information:

Item Description	Lock	Weight (g)	Colour	Finish	Material
SL - Universal	Universal	560.0	Black	Powder coated	Reinforced nylon
SL - Unique	Unique				





## Ball Latches (BLT):



## General Information:

**Function:** To catch doors or flaps.

**Features:**

1. Adjustable clamping force.
2. Two possible mounting positions: <sup>1</sup>slideways and <sup>2</sup>frontal.

**Note:**

1. Requires countersunk screws for fastening from the front.

## Item Description:

BLT - M3

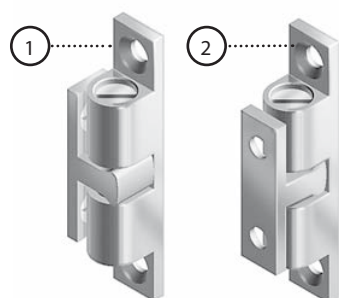
## Item Number:

1.25.0032.0



BLT - M4

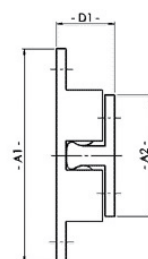
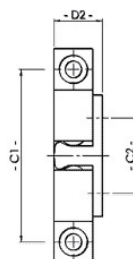
C0930464



gerade



90°



## Technical Information:

Item Description	-A1- (mm)	-A2- (mm)	-B1- (mm)	-B2- (mm)	-C1- (mm)	-C2- (mm)	-D1- (mm)	-D2- (mm)	Weight (g)	Finish	Material
BLT - M3	49.0	29.0	9.0	7.5	39.5	18.5	13.0	12.0	23.0	Chrome plated	Brass
BLT - M4	69.0	40.0	13.0	12.0	58.0	30.0	18.0	15.5	67.0	Chrome plated	Brass



Door Latch (DL):



General Information:

**Function:** For easy closing of doors and flaps.

**Features:**

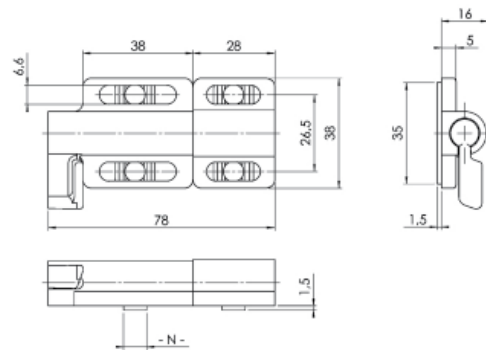
- 1. Includes separate slot fixation strips.

Item Description:

DL

Item Number:

C093082



Technical Information:

Item Description	Locating Pins -N-	Weight (g)	Colour	Finish	Material
DL	N=8, N=10 or without	120.0	Silver	Lacquered silver	Die cast Zinc